



## Round Drip Inserting Machine



UNIVERSAL FOR INDUSTRY OF DRIP IRRIGATION PIPES  
Tel. +962 6 4025170 ---- Fax +962 6 4025171  
P.O. Box 1118 Amman 11511 - Jordan  
Email: [sales@dip.com.jo](mailto:sales@dip.com.jo)

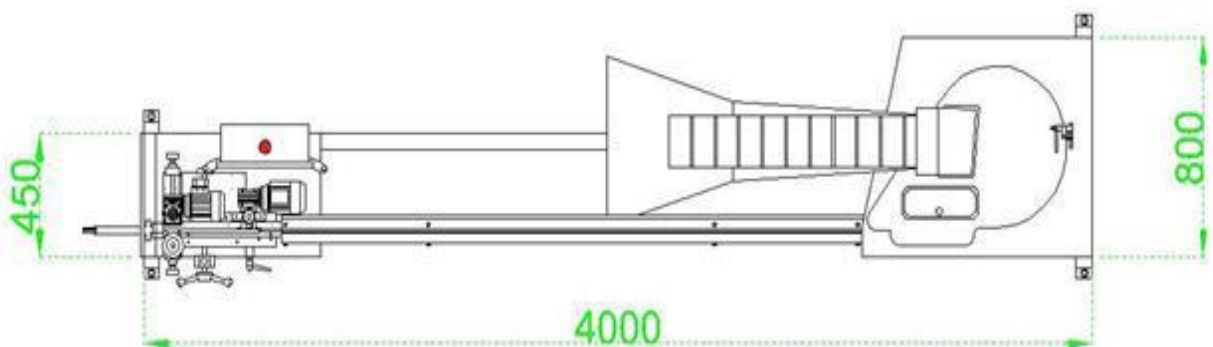
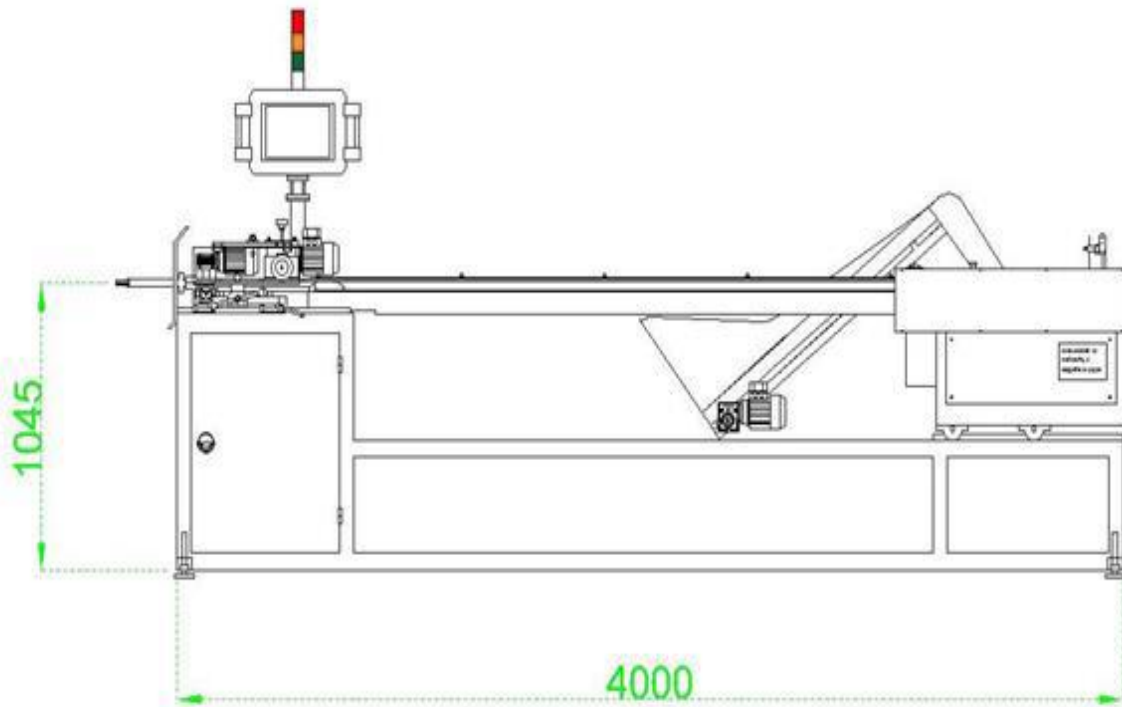
# Round Drip Inserting Machine

This DIP high-speed round dripper inserting machine is built using the same insertion concept as the flat drip machines. The belt driven machines allow us to reach speeds of up to 500 drippers per minute without compromising on the spacing accuracy. This unit is easily integrated to any existing production line and can provide a substantial upgrade to your production.

- Capacity: 500 dripper/min. 30-70mm length of drippers
- Diameters: 16-20mm
- Minimum Inserting Space: 20mm
- Touch Panel: 7" Delta
- Max Line Speed: 120m/min
- Bowl Feeder covered by Plexiglass
- Continuous feedback dripper conveying system
- Special Cooling Tubes located in the crosshead for different dripper types.
- Dripper unloading system.
- Uniform spacing -Group Spacing -Dripper counting.

UNIVERSAL

## Dimensions:



UNIVERSAL FOR INDUSTRY OF DRIP IRRIGATION PIPES

Tel. +962 6 4025170 ---- Fax +962 6 4025171

P.O. Box 1118 Amman 11511 - Jordan

Email: [sales@dip.com.jo](mailto:sales@dip.com.jo)